

Spierings Hydraulic Folding Crane

SK 599 - AT5

Total weight: 60000 kg
changes subject to modifications

SPIERINGS
MOBILE CRANES

Merwedestraat 15
5347 KZ Oss NL
Tel. +31 (0)412-626964
Fax +31 (0)412-645299
www.spieringscranes.com

102-00599102

SPIERINGS HYDRAULIC FOLDING CRANE SK599-AT5

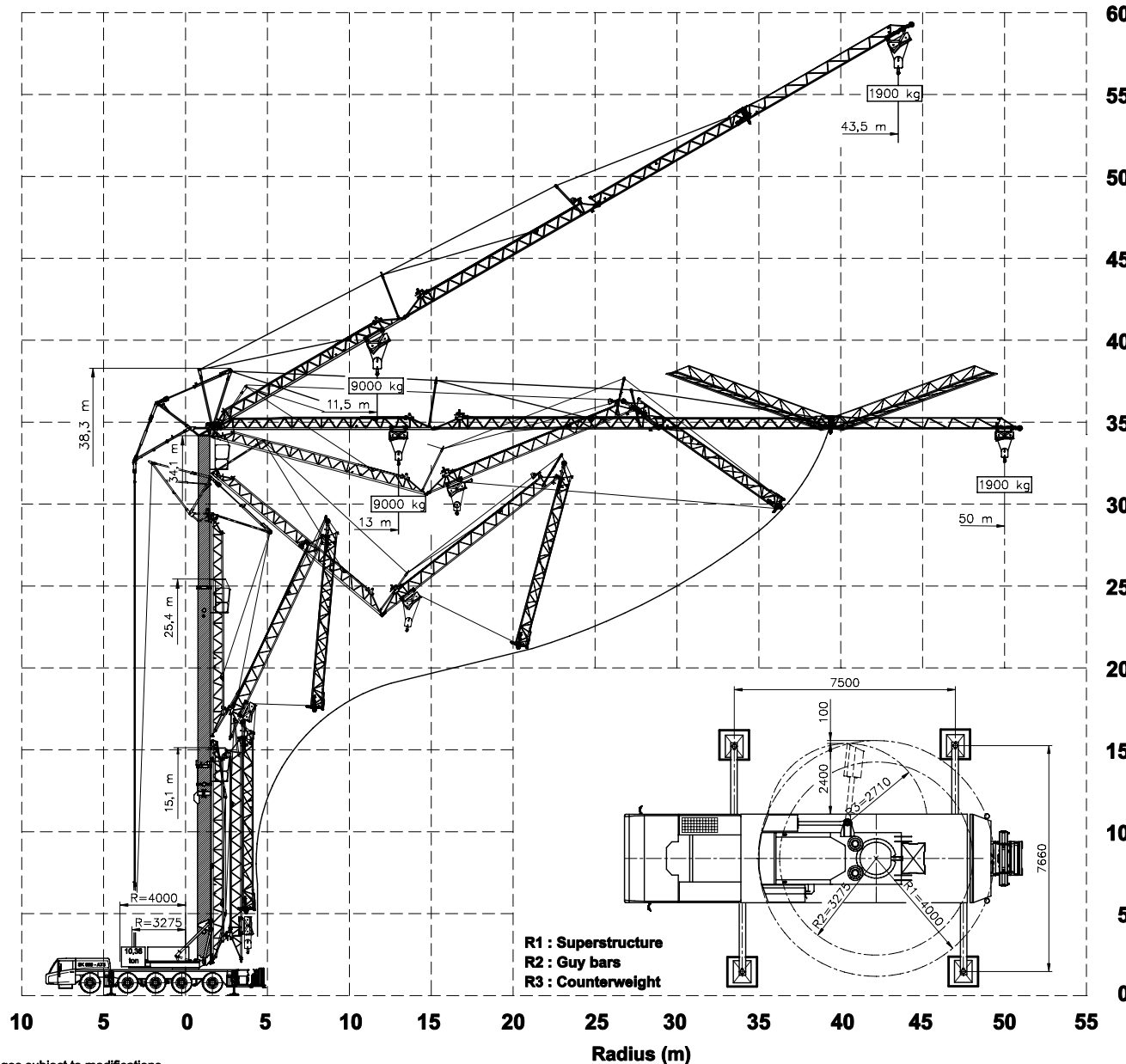
599xxx

Erection procedure of the crane

Max. outrigger force : 440 kN
 Outrigger support pads : 750x600 mm
 Ground pressure : 1,00 N/mm²
 Jib can be unfolded through 360°

Luffing the jib 30° can be controlled from
 the crane cab or remote control

Outrigger support plates : 1000x1000 mm
 surface : 1,00 m²
 Ground pressure : 0,44 N/mm²



Hookheight (m)

SPIERINGS
MOBILE CRANES

Merwedestraat 15
 5347 KZ Oss NL
 Tel. +31 (0)412-626964
 Fax +31 (0)412-645299
www.spieringscranes.com

102-00599103

SPIERINGS HYDRAULIC FOLDING CRANE

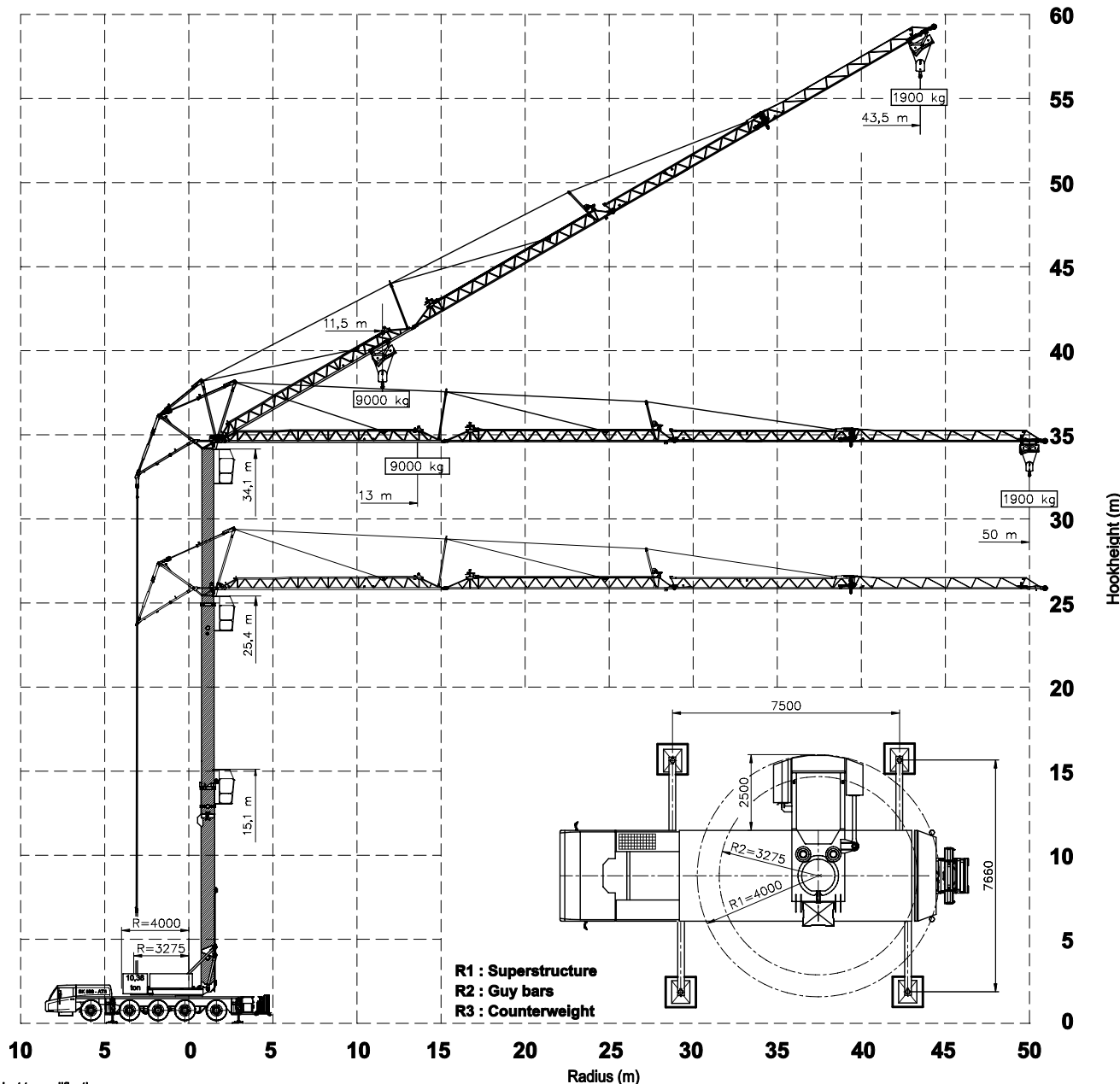
SK599-AT5

599xxx

Hoisting Specifications

Outrigger support base

7,50 m x 7,66 m



Hookheight (m)

Radius (m)

SPIERINGS
MOBILE CRANES

Merwedestraat 15
5347 KZ Oss NL
Tel. +31 (0)412-626964
Fax +31 (0)412-645299
www.spieringscranes.com

102-00599104

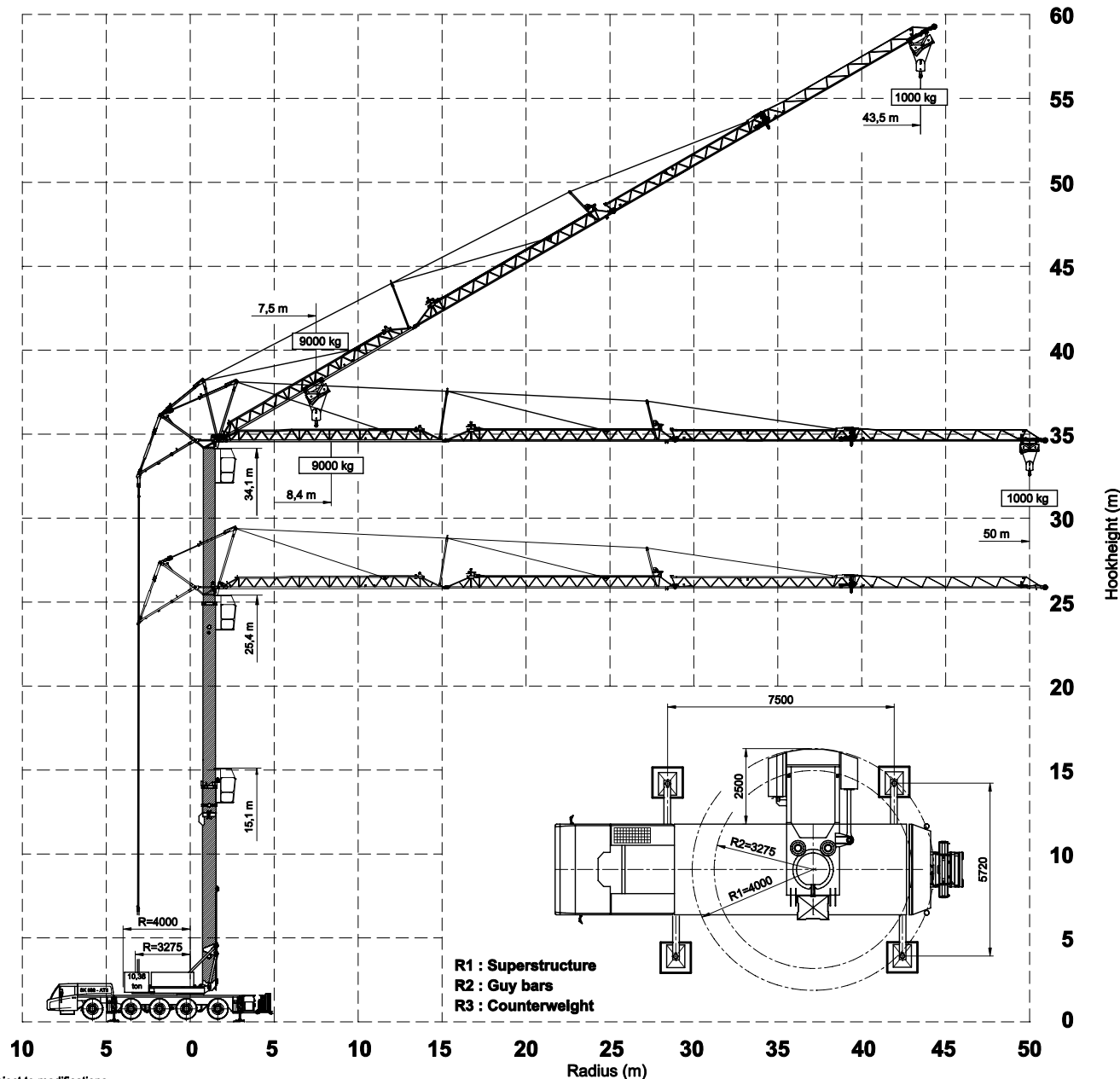
SPIERINGS HYDRAULIC FOLDING CRANE

SK599-AT5

599xxx

Hoisting Specifications

**Outrigger support base
7,50 m x 5,72 m**

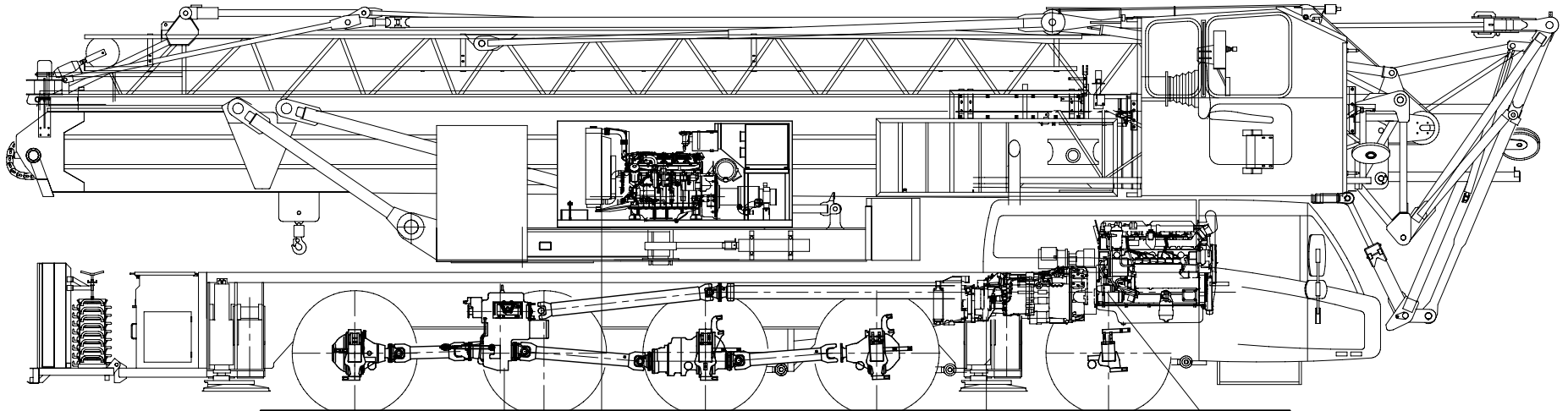


R1 : Superstructure
R2 : Guy bars
R3 : Counterweight

SPIERINGS
MOBILE CRANES

Merwedestraat 15
5347 KZ Oss NL
Tel. +31 (0)412-626964
Fax +31 (0)412-645299
www.spieringscranes.com

102-00599105



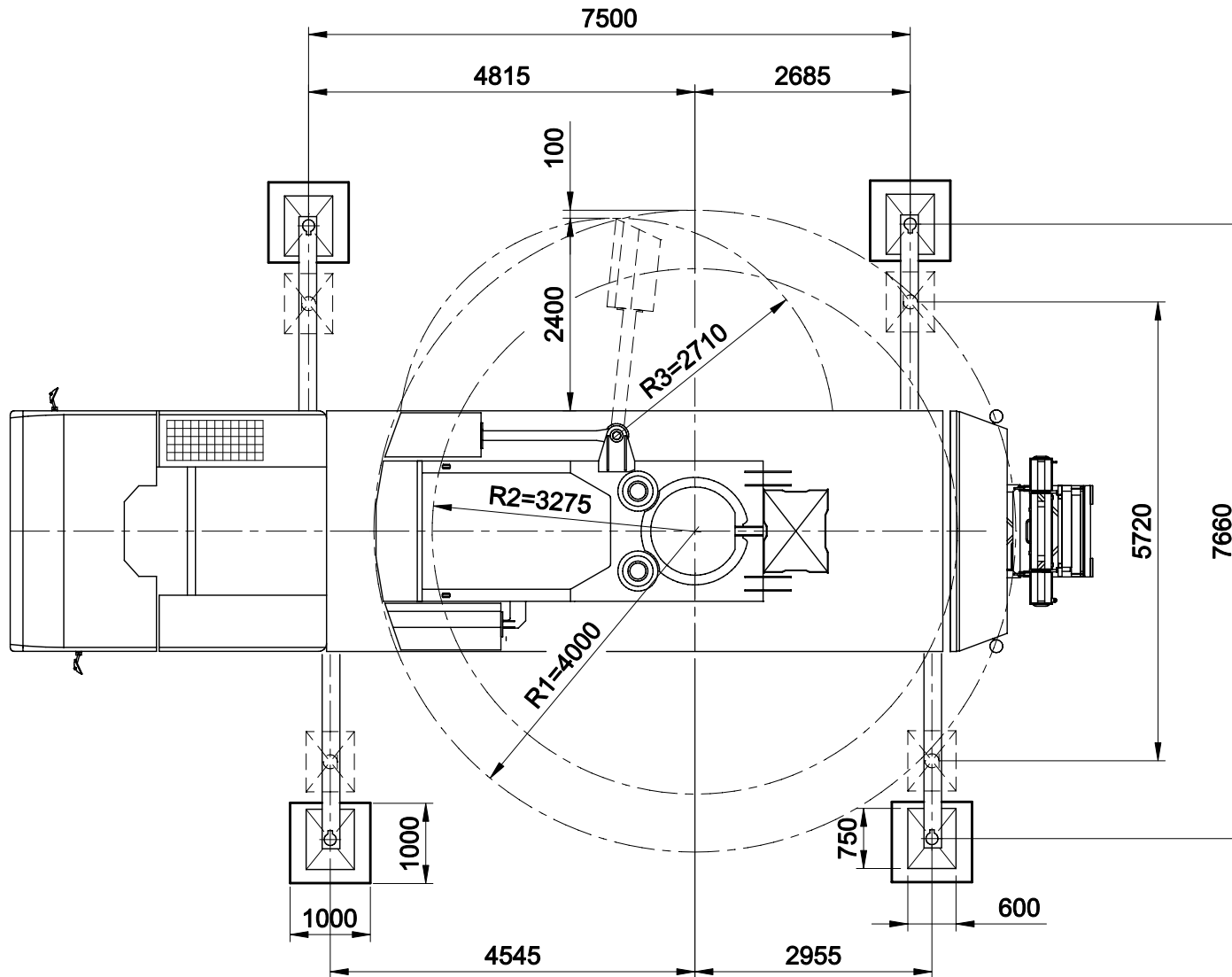
Axle 5		Axle 4		Axle 3		Axle 2		Axle 1	
Transfer box: STEYR VG2001/396		Crane diesel engine: John Deere 4045HF475		Gearbox: ZF 16AS2601		Carrier diesel engine: Euro IV		DAF: MX 375 (12,9 ltr)	
Road gear	i=0,89	Power: 129 kW (2200 rpm)		Automatic		Power:		375 kW (1900 rpm)	
Off road gear	i=1,54	Torque: 700 Nm (1400 rpm)		Dry plate clutch + retarder		Torque: 2500 Nm (1000-1410 rpm)			

Axle 1 : Steer axle	Tyres	: 445/75 R22,5
Axle 2 : Steer drive axle (end reduction i=7,29)	Suspension: hydro-pneumatic on all axles; stroke cyl.	: 247 mm
Axle 3 : Drive axle , non steered (end reduction i=7,29)	Max. speed carrier	: 85 km/h
Axle 4 : Steer axle	Min. speed carrier (engine at 1000 rpm)	: 1,6 km/h
Axle 5 : Steer drive axle (end reduction i=7,29)	Overall weight	: 60.000 kg.

Drive train Spierings Folding Crane SK 599 - AT5

SPIERINGS
MOBILE CRANES

Merwedestraat 15
5347 KZ Oss NL
Tel. +31 (0)412-626964
Fax +31 (0)412-645299
www.spieringscranes.com



R1 : Superstructure
R2 : Guy bars
R3 : Counterweight

SPIERINGS

HYDRAULIC FOLDING CRANE

SK 599 - AT5

599xxx

Outrigger support base

Max. outrigger force	440 kN
Outrigger support pads	750x600 mm
Ground pressure	1,00 N/mm ²
Outrigger support plates	1000x1000 mm
Surface	1,00 m ²
Ground pressure	0,44 N/mm ²


SPIERINGS
MOBILE CRANES

Merwedestraat 15
 5347 KZ Oss NL
 Tel. +31 (0)412-626964
 Fax +31 (0)412-645299
www.spieringscranes.com